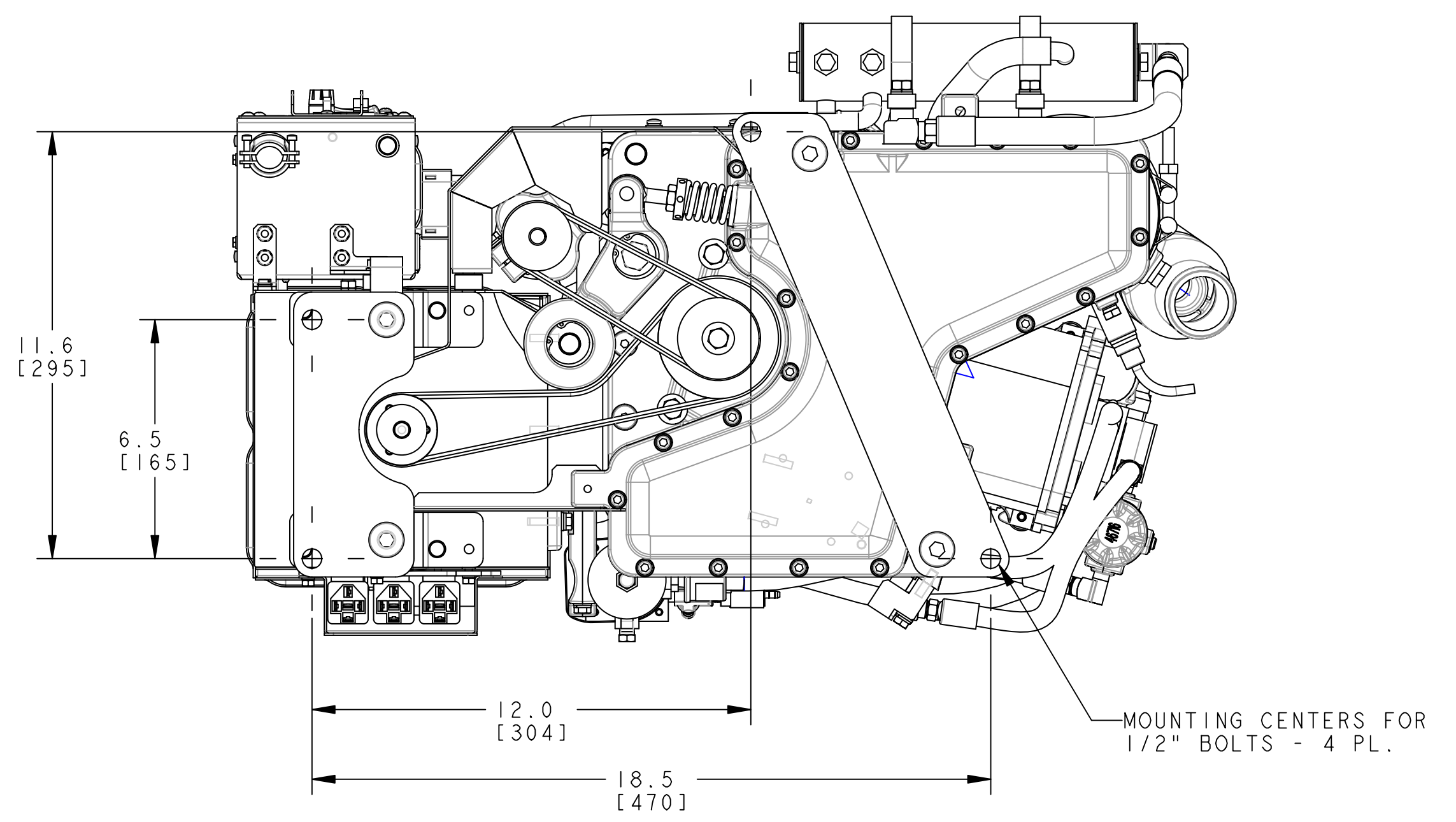


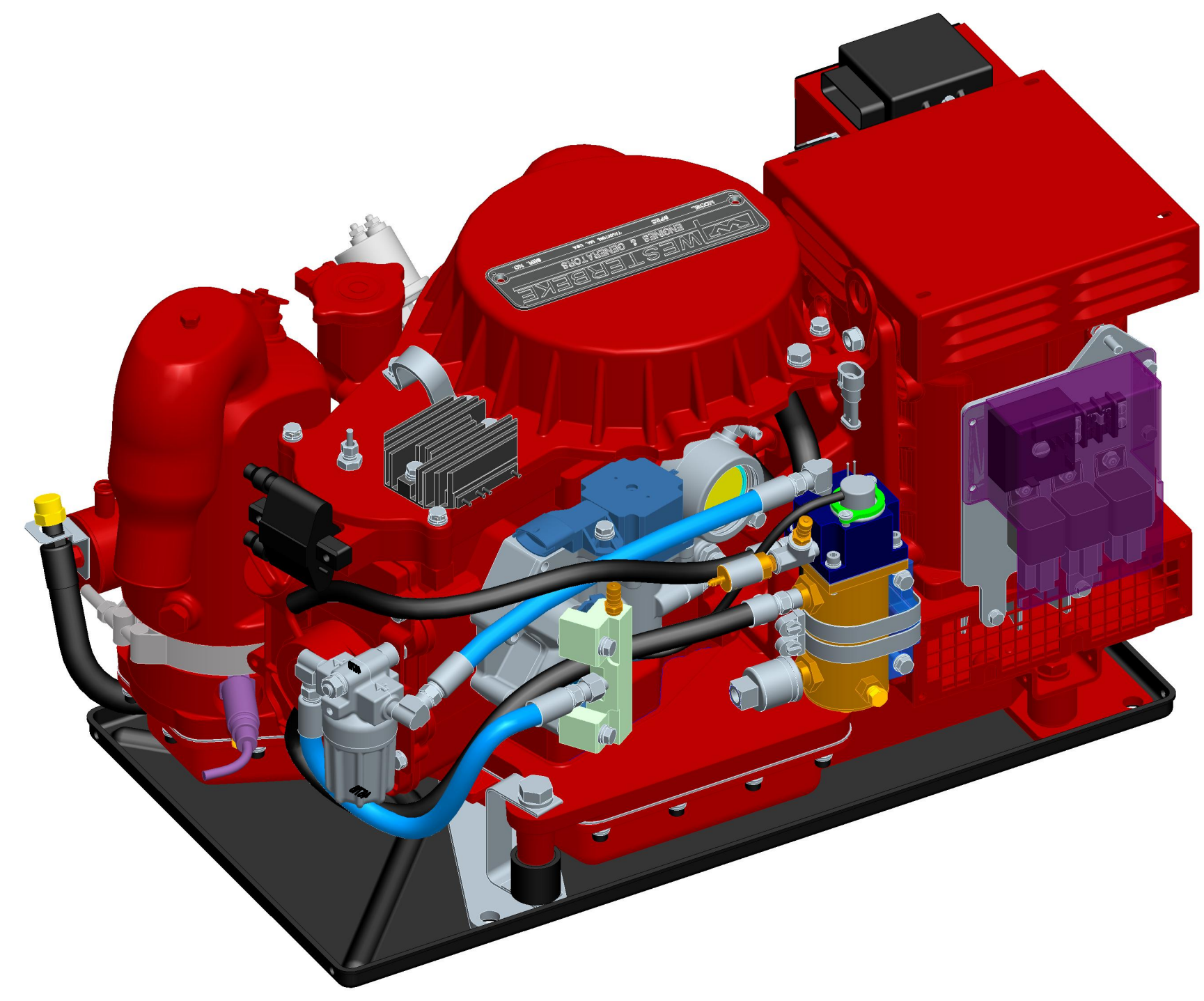
RAW WATER INLET
0.5 [12.7] ID HOSE

RAW WATER DISCHARGE
0.5 [12.7] ID HOSE

WATER INJECTION INLET
0.5 [12.7] ID HOSE



MOUNTING CENTERS FOR
1/2" BOLTS - 4 PL.



TOLERANCES (UNLESS OTHERWISE NOTED)		WESTERBEKE	
INCHES	MILLIMETERS	TITLE	
.XX : .02	X. ± 1.0	DGINSTALL GEN 3.5 SBCG	
.XXX : .005	.X ± .5	---	
CAST : .03	.XX ± .13	---	
ANGLES : 5°	FINISH : S	---	
DIMENSIONS		DRAWN BY	DATE
← INCHES →		GA	06/Jan/10
← MILLIMETERS →		APPROVED BY	DATE
(WHEN APPLICABLE)		SCALE 0.300	SIZE
SHT. 1 OF 1		D	DRAWING NUMBER
			55109
			REV.
			-